

NC3600 Series

High ENR Noise Source

200 MHz to 18 GHz



High ENR Coaxial Noise Sources

The NC3600 Series coaxial noise sources are an excellent choice for applications requiring high ENR, such as ATE, radiometer, and radar systems.

An SMA male connector is standard for the RF output and feed thru for bias input. SMA female is an option. Custom frequencies and flatness available. Contact the factory with your request.

Applications

- Radar systems
- High NF device measurements
- Automated test equipment (ATE)

General Specifications

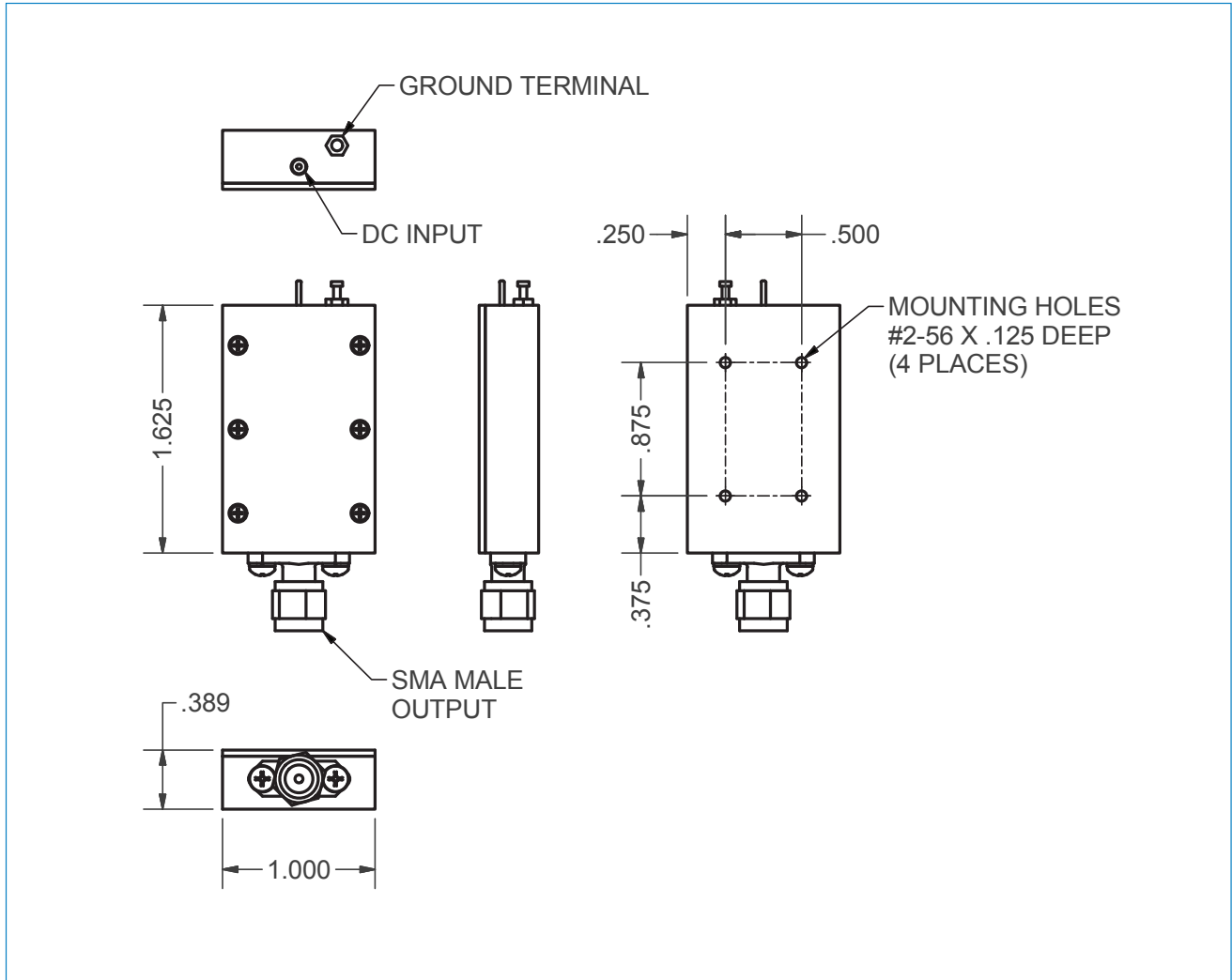
ENR	>40dB
Standard input voltage	+15V
Flatness	+/- 1.5dB
Typical current	100 mA
Calibration	Every 1 GHz
Operating Temperature	-40 °C to +85 °C
Storage Temperature	-55 °C to +120 °C

Model	Frequency (GHz)	ENR (dB)	Flatness Full Band (dB)
NC3608	2-18	>40	+/- 1.5
NC3609	0.2-18	>40	+/- 1.5

Options

Option Number	Description
NC36opt01	SMA Female output connector
NC36opt02	+28V DC Bias

NC3600 Series Dimensions (inches)



Wireless Telecom Group Inc.
25 Eastmans Rd
Parsippany, NJ
United States
Tel: +1 973 386 9696
Fax: +1 973 386 9191
www.noisecom.com

© Copyright 2017
All rights reserved.

N/NC3600/0418/EN
Note: Specifications, terms and conditions
are subject to change without prior notice.